

1

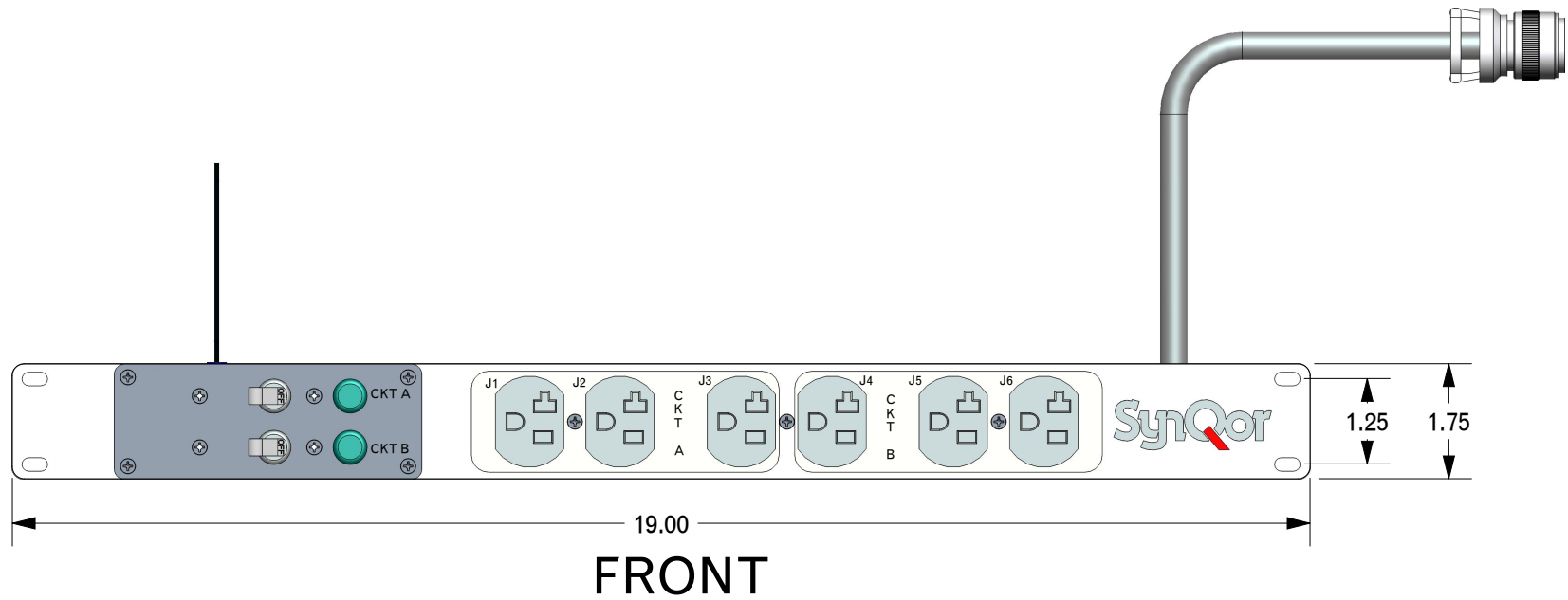
2

3

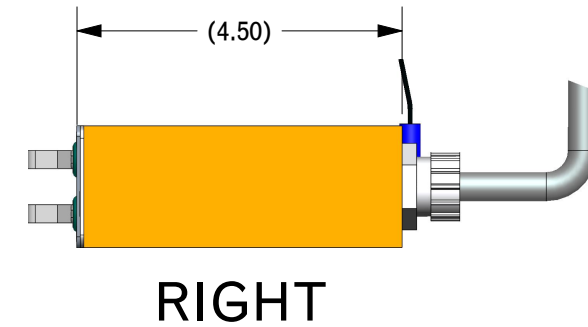
4

A

A

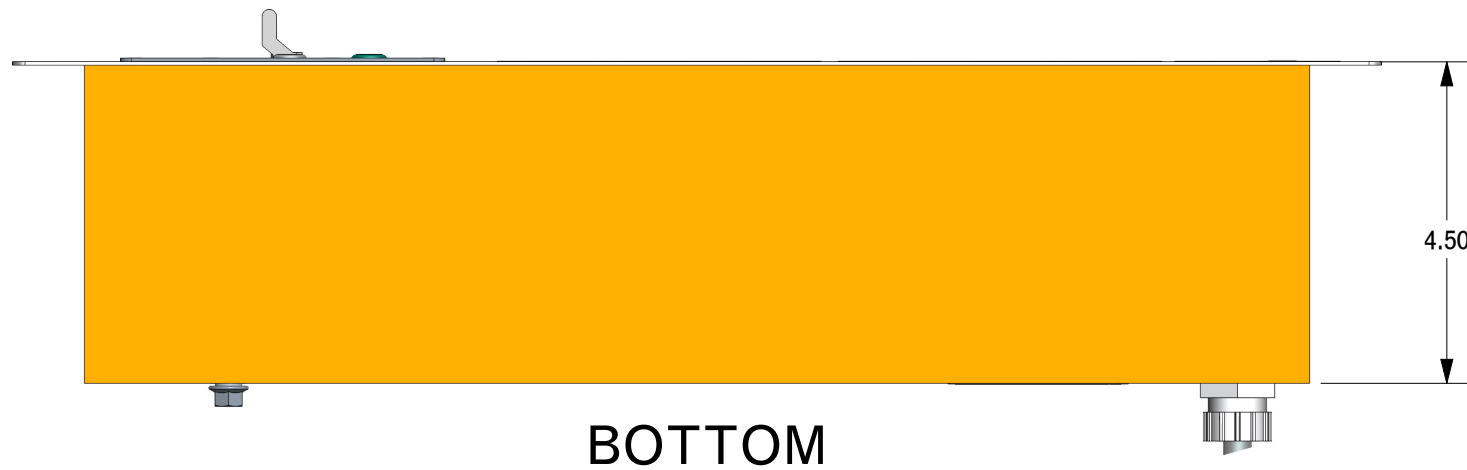


REVISIONS			
REV	DESCRIPTION	DATE	APPROVED
B	UPDATED SAFETY INFORMATION PER ECO 17-22961	10/12/17	JAK
C	UPDATE CABLE POSITIONS PER ECO 20-26211	02/05/20	K.DUBROWN



B

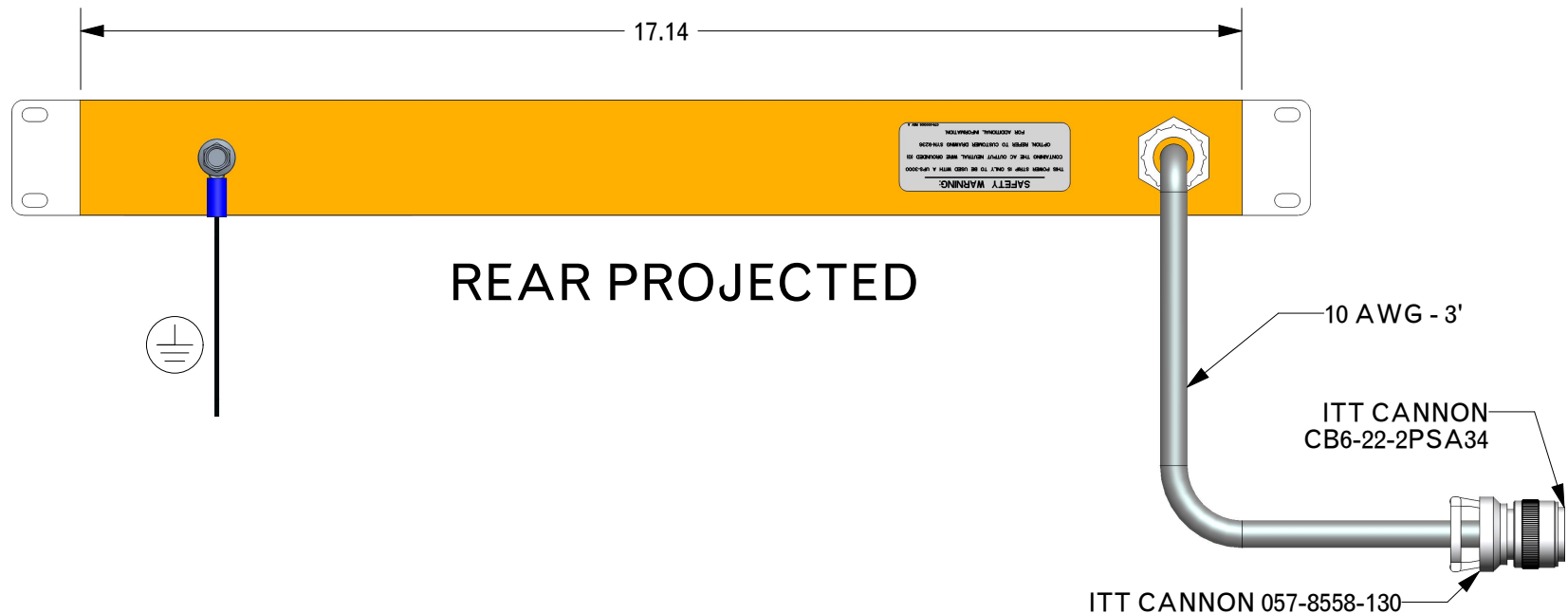
B



IMPORTANT SAFETY INFORMATION
THIS POWER STRIP IS ONLY TO BE USED WITH A UPS-3000 CONTAINING THE AC OUTPUT NEUTRAL WIRE GROUNDED (G) OPTION. THIS POWER STRIP IS PROHIBITED FOR OPERATION WITH THE UPS FLOATING OPTION (F) AND THE UPS AC ELECTRONIC BREAKER OPTION (R).

C

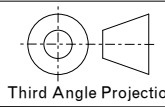

C



- NOTES:
- 1) PLUG RECEPTACLE: NEMA 5-20R, 20A 120V.
 - 2) CIRCUIT BREAKER: 20A, 2 POLE (INDIVIDUALLY TRIPPING), MEDIUM DELAY
 - 3) WEIGHT: TBD
 - 4) STANDARD HOLE LOCATIONS FOR 19" RACK MOUNT

D

D

TOLERANCES: Unless otherwise specified: .X +/- .025 .XX +/- .010 .XXX +/- .005 Angles +/- 1°		 Third Angle Projection		 155 Swanson Road Boxborough, MA 01719-1316	
UPS-3000 Power Strip With Breaker					
SOURCE: PRO/E SYN-9236					
SIZE	DATE	DWG. NO.		REV	
B	FEB-05-20	SYN-9236		C	
SCALE: 0.375		DRAWN:KJD	CHECK:	SHEET 1 of 1	

1

2

3

4